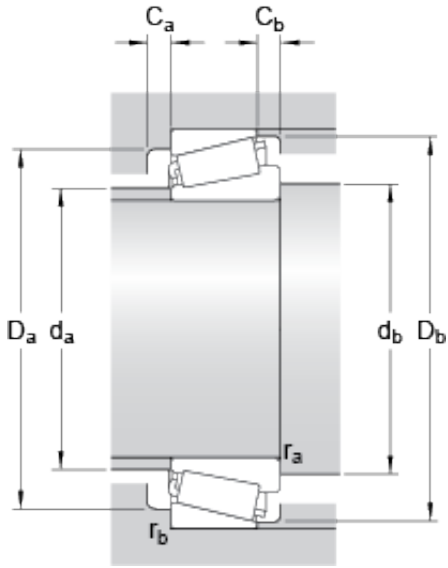




Cixi Kent Bearing Co., Ltd.

SKF Taper Roller Bearing 30206 30207 30208 30209 SKF Bearing

Bearing No. 30206



30206 Bearing 2D drawings and 3D CAD models

Dimension series	3DB
d	30 mm
D	62 mm
T	17.25 mm
d ₁	45.3 mm
B	16 mm
C	14 mm
r _{1,2} min.	1 mm
r _{3,4} min.	1 mm
a	13.643 mm
d _a max.	38 mm
d _b min.	37 mm
D _a min.	53 mm
D _a max.	56 mm
D _b min.	57 mm
C _a min.	2 mm
C _b min.	3 mm
r _a max.	1 mm
r _b max.	1 mm
Basic dynamic load rating C	50 kN
Basic static load rating C ₀	44 kN
Fatigue load limit P _u	4.8 kN
Reference speed	9000 r/min
Limiting speed	11000 r/min
Calculation factor e	0.37



Cixi Kent Bearing Co., Ltd.

Calculation factor Y	1.6
Calculation factor Y_0	0.9
Mass bearing	0.23 kg